

Note: Angles given are for HSS on Aluminum for general purpose machining

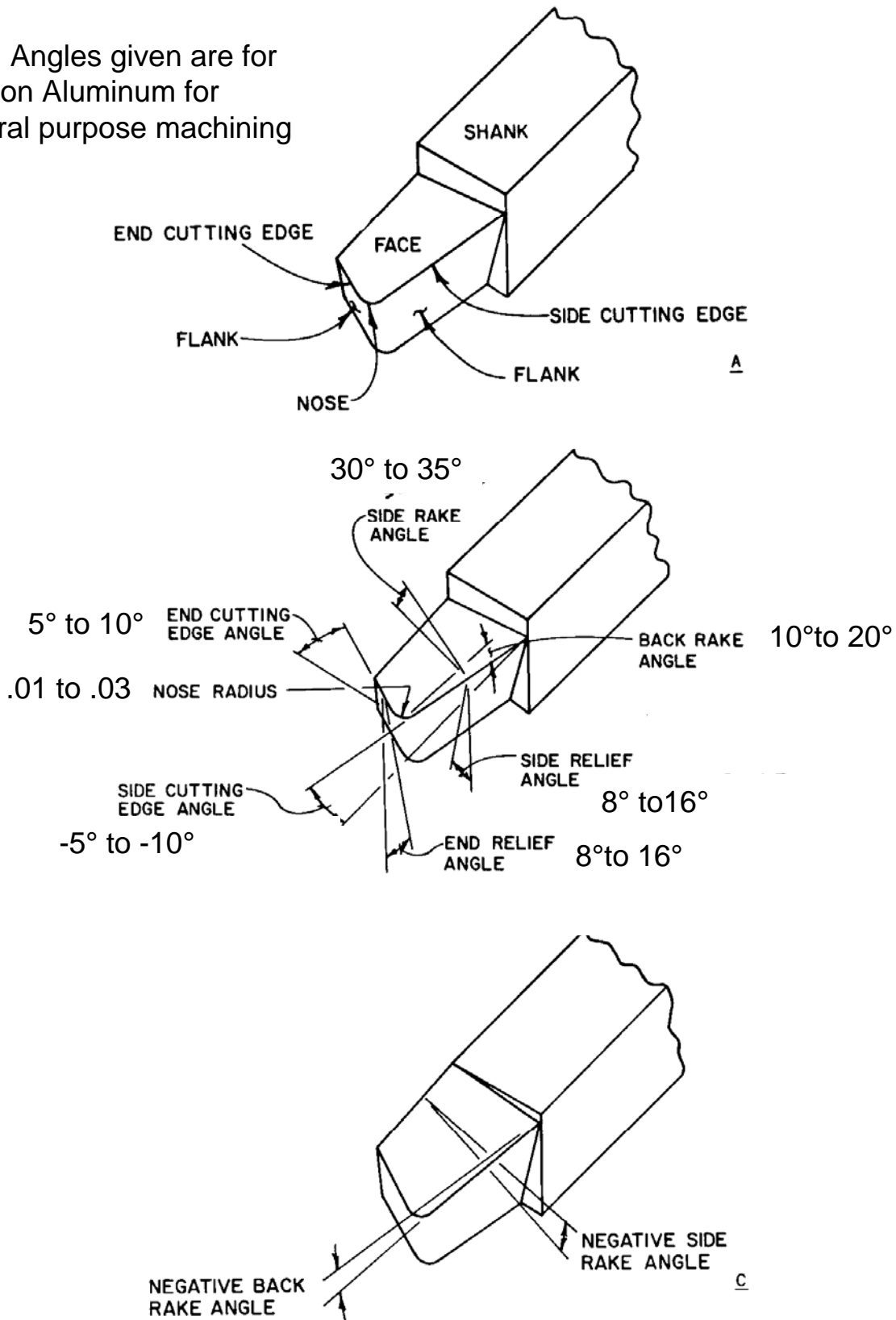


Fig. 7-1. The nomenclature of the single-point cutting tool.