

4

3

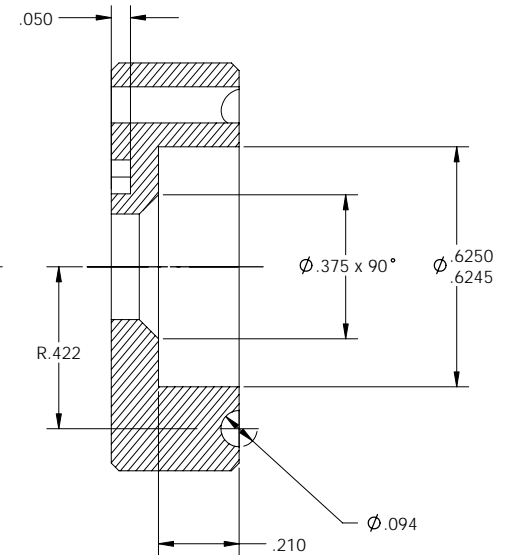
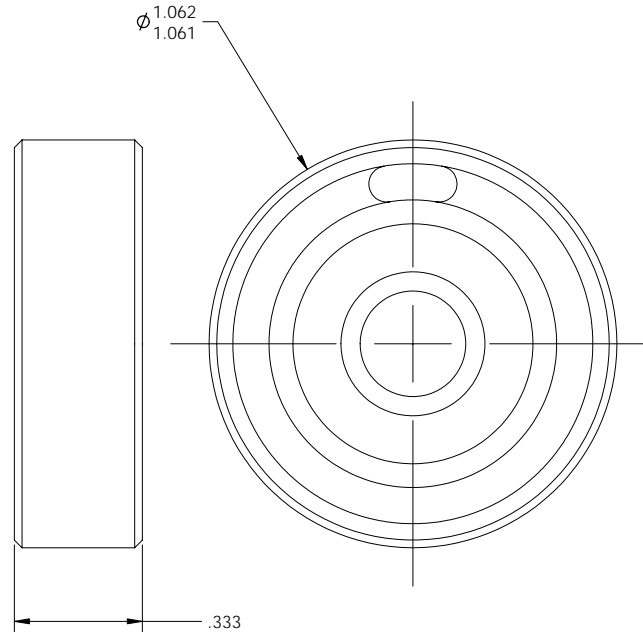
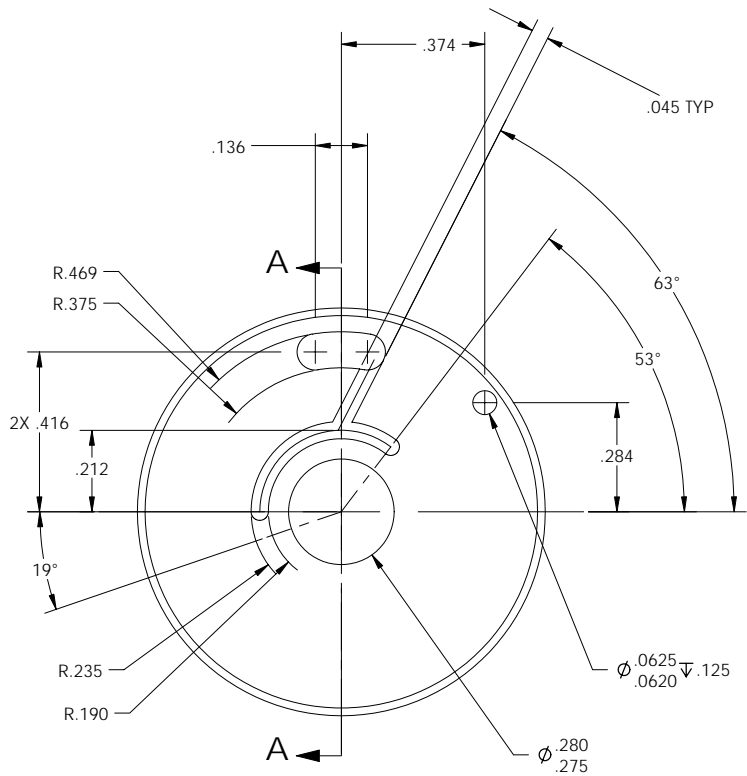
2

1

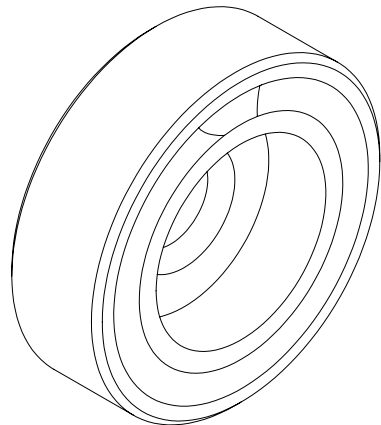
NOTES, UNLESS OTHERWISE SPECIFIED

- 1. UNSPECIFIED FILLET RADII .005-.010.
- 2. MATERIAL: 1020 STEEL

REV	ZONE	DESCRIPTION	APPROVED	DATE
-		INITIAL RELEASE		



SECTION A-A



ALL DIMENSIONS ARE IN INCHES- INTERPRET DRAWING PER ASME Y14.5 -1994

TOLERANCES UNLESS OTHERWISE SPECIFIED:

X.X ± .03 $\angle \pm .5^\circ$

X.XX ± .01

X.XXX ± .005 125°

REMOVE ALL BURRS AND SHARP EDGES .005 R OR CHAMFER MAX

APPROVED	DATE
PREP BY D. ANDERSON	12/16/05
CHECKED	
RESP ENG D. ANDERSON	
MFG ENG	
QUAL ENG	



BEARING CUP, INPUT

SIZE C	FSCM NO.	PART NO. 100104	PART REV -	DOC REV -
SCALE 4:1	WT 0.06	SHEET 1	OF 1	

◆ = (CRITICAL DIMENSION)

3

2

1