

4

3

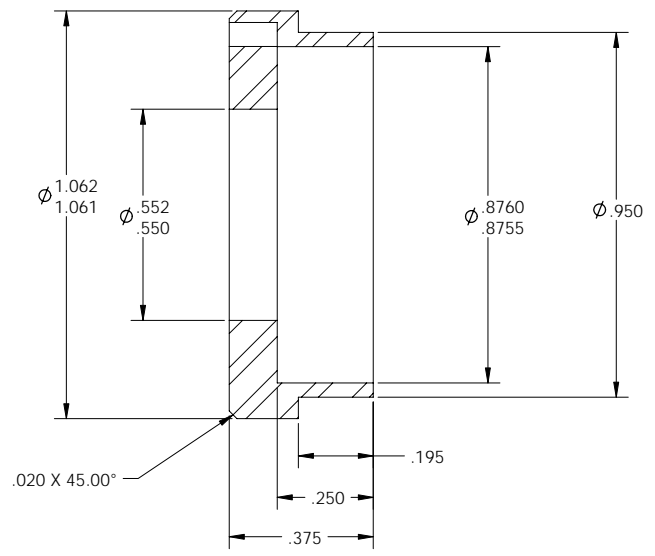
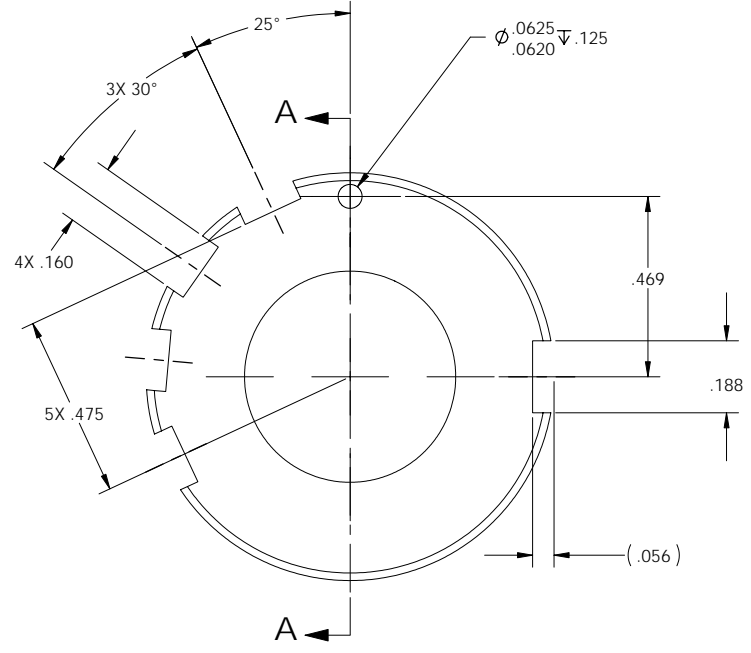
2

1

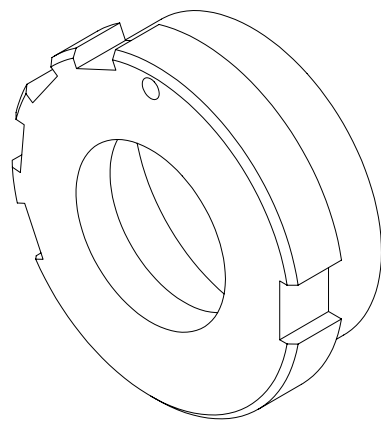
NOTES, UNLESS OTHERWISE SPECIFIED

- 1. UNSPECIFIED FILLET RADII .005-.010.
- 2. MATERIAL: 1020 STEEL
- 3. THREADS PER ANSI B1.1.

REV	ZONE	DESCRIPTION	APPROVED	DATE
-		INITIAL RELEASE		



SECTION A-A



ALL DIMENSIONS ARE IN INCHES- INTERPRET DRAWING PER ASME Y14.5 -1994		APPROVED	DATE	Franklin W. Olin College of Engineering	
TOLERANCES UNLESS OTHERWISE SPECIFIED: X.X ± .03    ∠ ± .5° X.XX ± .01    125/ X.XXX ± .005		PREP BY D. ANDERSON	11/18/05	BEARING CUP, EXHAUST	
REMOVE ALL BURRS AND SHARP EDGES .005 R OR CHAMFER MAX		CHECKED			
		RESP ENG D. ANDERSON			
		MFG ENG			
		QUAL ENG		SIZE C	FSCM NO.
		◆ = (CRITICAL DIMENSION)		PART NO. 100105	PART REV A
		SCALE 4:1	WT 0.03	SHEET 1	OF 1

3

2

1