

4

3



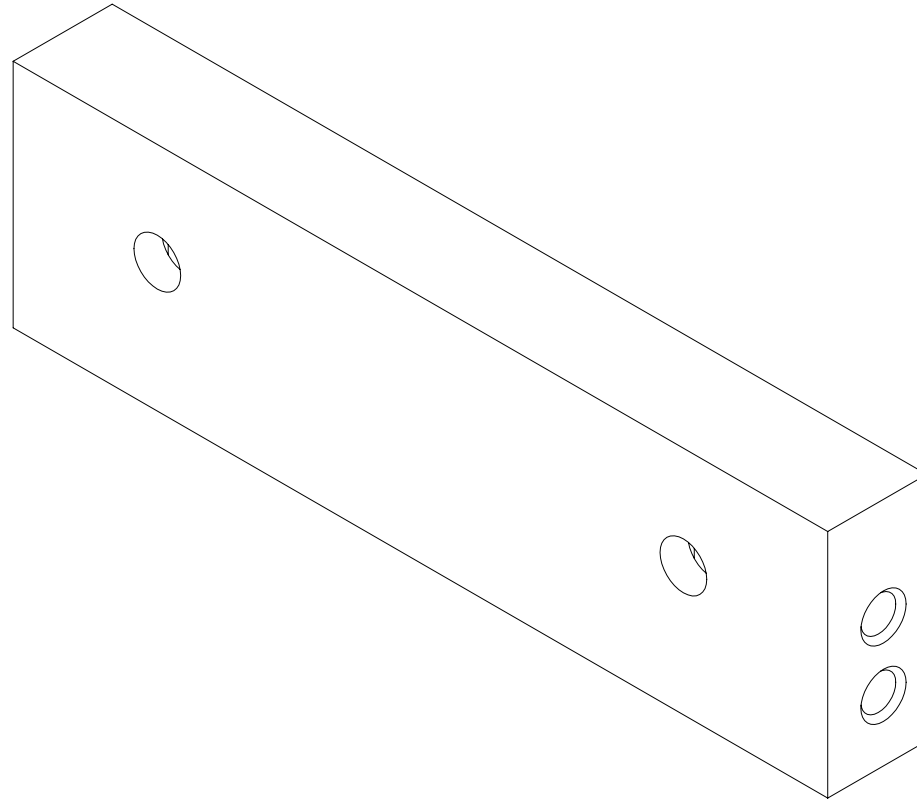
2

1

NOTES, UNLESS OTHERWISE SPECIFIED

- 1. UNSPECIFIED FILLET RADII .010-.031.
- 2. MATERIAL: AL PLATE 6061-T651
- 3. THREADS PER ANSI B1.1.

REV	ZONE	DESCRIPTION	APPROVED	DATE



ALL DIMENSIONS ARE IN INCHES- INTERPRET DRAWING PER ASME Y14.5 -1994 TOLERANCES UNLESS OTHERWISE SPECIFIED: X.X ± .03 $\angle \pm .5^\circ$ X.XX ± .01 X.XX ± .005 $\sqrt{125}$ REMOVE ALL BURRS AND SHARP EDGES .005 R OR CHAMFER MAX	APPROVED	DATE					
	PREP BY D. ANDERSON						PROJECT 3B MEASURE AND DRAW
	CHECKED						
	RESP ENG D. ANDERSON						
MFG ENG							
QUAL ENG			SIZE C	FSCM NO.	PART NO. 1000-03B	PART REV	DOC REV A
◆ = (CRITICAL DIMENSION)	SCALE 2:1	WT 0.24	SHEET 1	OF 1			

3



2

1

A

A

D

D

C

C

B

B