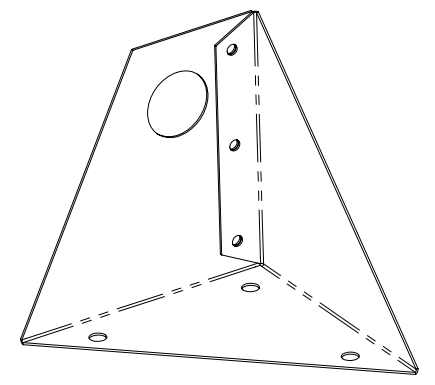
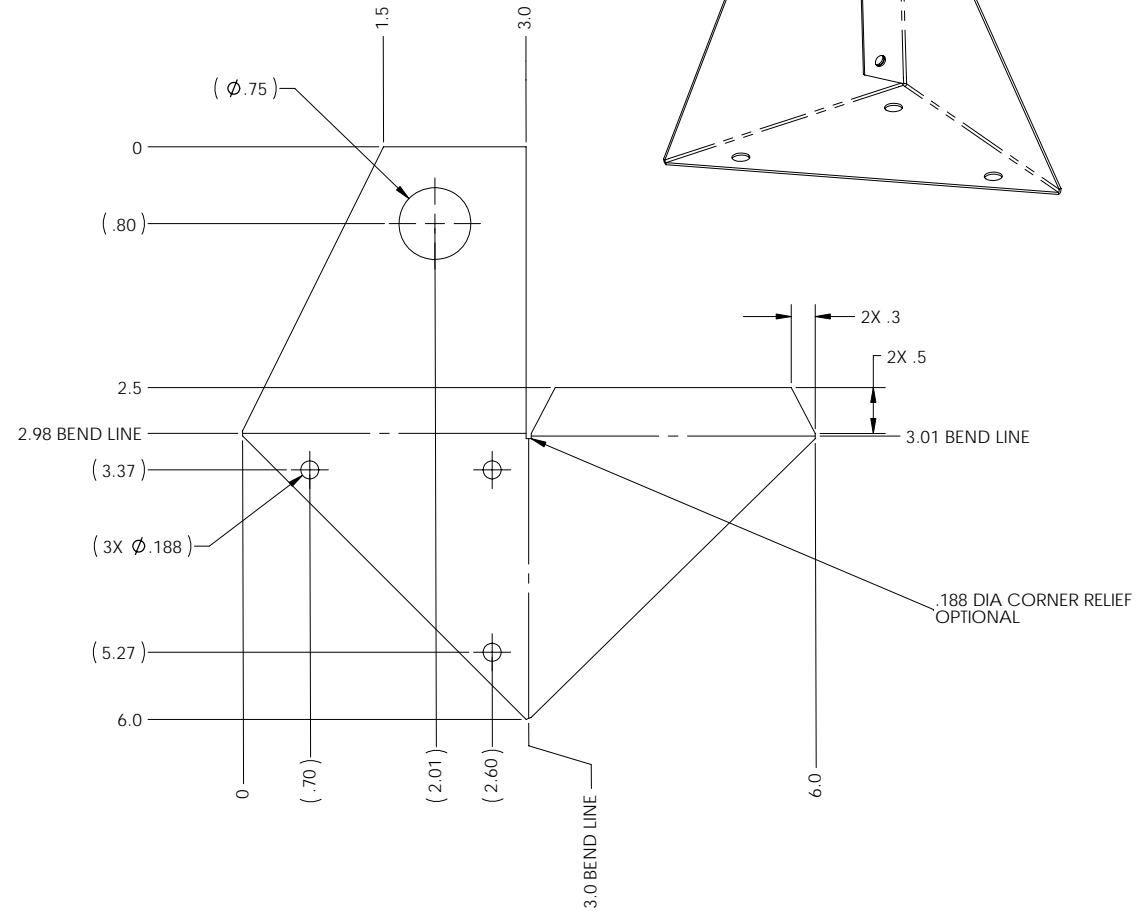
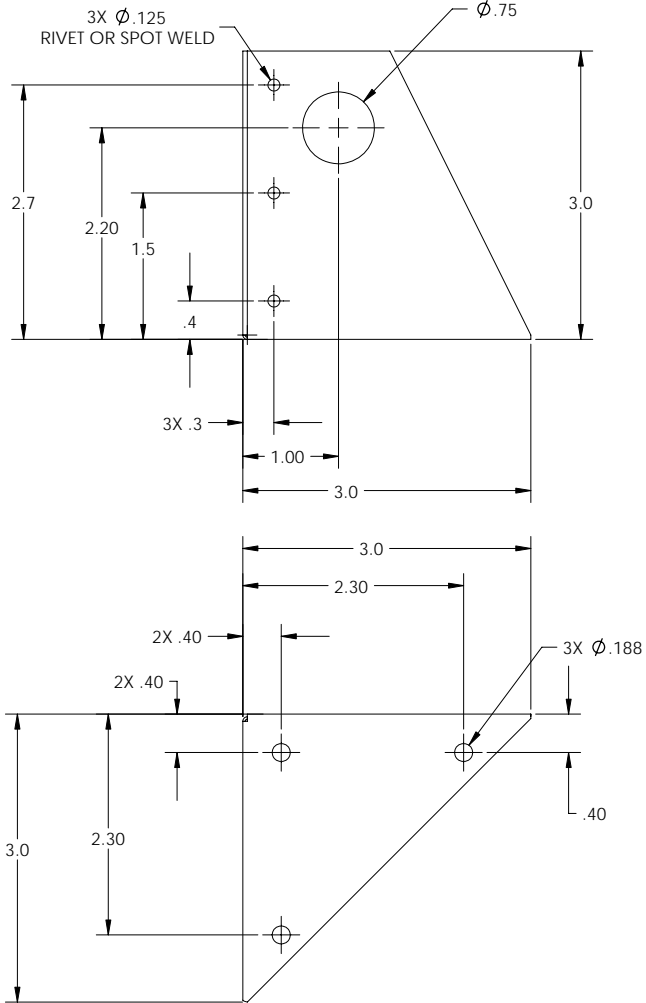


NOTES, UNLESS OTHERWISE SPECIFIED

1. MATERIA: 24 GA MILD STEEL

REV	ZONE	DESCRIPTION	APPROVED	DATE
-		INITIAL RELEASE		



ALL DIMENSIONS ARE IN INCHES- INTERPRET DRAWING PER ASME Y14.5 -1994 TOLERANCES UNLESS OTHERWISE SPECIFIED: X.X ± .03 ∠ ± .5° X.XX ± .01 X.XXX ± .005 125/	APPROVED	DATE					
	PREP BY D. ANDERSON	10-08-9					
	CHECKED		PROJECT 4 SHEET METAL BRACKET				
	RESP ENG D. ANDERSON						
MFG ENG							
QUAL ENG			SIZE C	FSCM NO.	PART NO. 1000-04	PART REV B	DOC REV
REMOVE ALL BURRS AND SHARP EDGES .015 R OR CHAMFER MAX	◆ = (CRITICAL DIMENSION)	SCALE 1:1	WT 0.04	SHEET 1	OF 1		