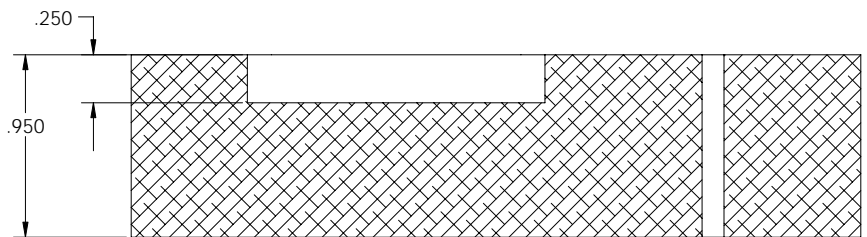
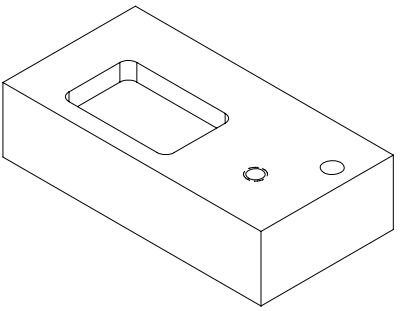
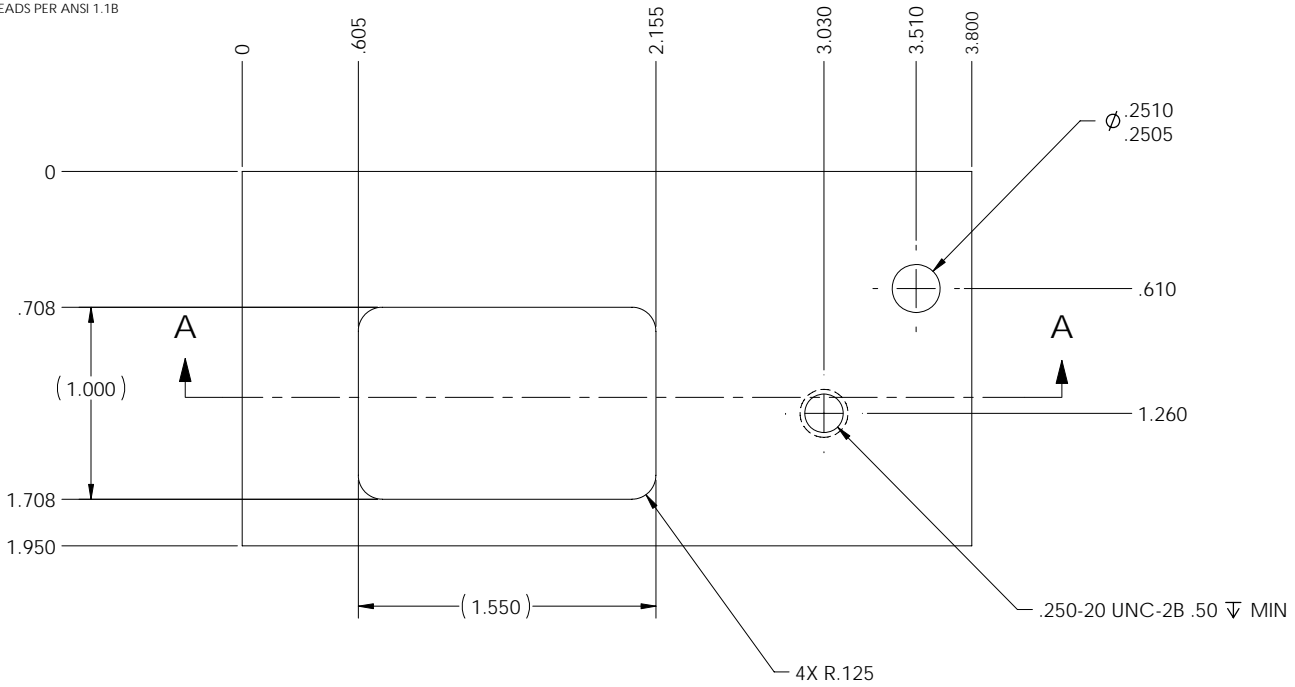


4 3 2 1

NOTES, UNLESS OTHERWISE SPECIFIED

- 1. UNSPECIFIED FILLET RADII .005-.010.
- 2. MATERIAL: ALUMINUM
- 3. THREADS PER ANSI 1.1B

REV	ZONE	DESCRIPTION	APPROVED	DATE
-		INITIAL RELEASE		



ALL DIMENSIONS ARE IN INCHES- INTERPRET DRAWING PER ASME Y14.5 -1994 TOLERANCES UNLESS OTHERWISE SPECIFIED: X.X ± .03 ∠ ± .5° X.XX ± .01 X.XXX ± .005 125/√	APPROVED	DATE					
	PREP BY	D. ANDERSON					10-8-09
	CHECKED			PROJECT 6B WIDGET BLOCK			
	RESP ENG	D. ANDERSON					
REMOVE ALL BURRS AND SHARP EDGES .015 R OR CHAMFER MAX	QUAL ENG		SIZE	FSCM NO.	PART NO.	PART REV	DOC REV
◆ = (CRITICAL DIMENSION)			C			B	
	SCALE	2:1	WT	0.64	SHEET	1	OF 1

4 3 2 1