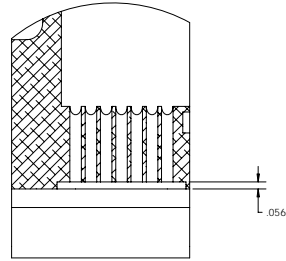


8 7 6 5 4 3 2 1

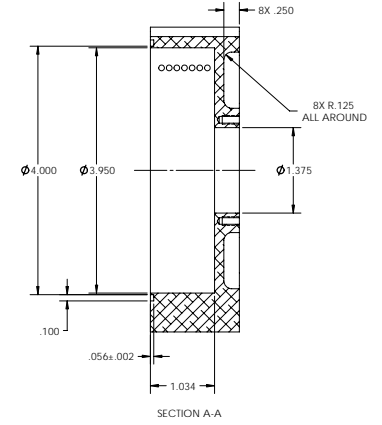
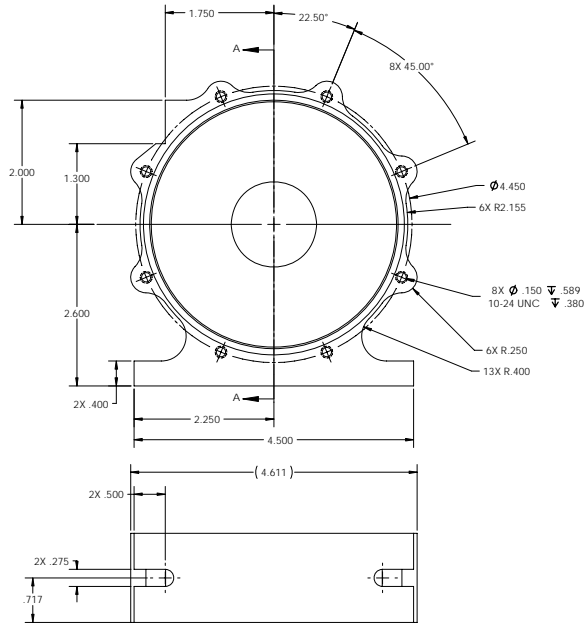
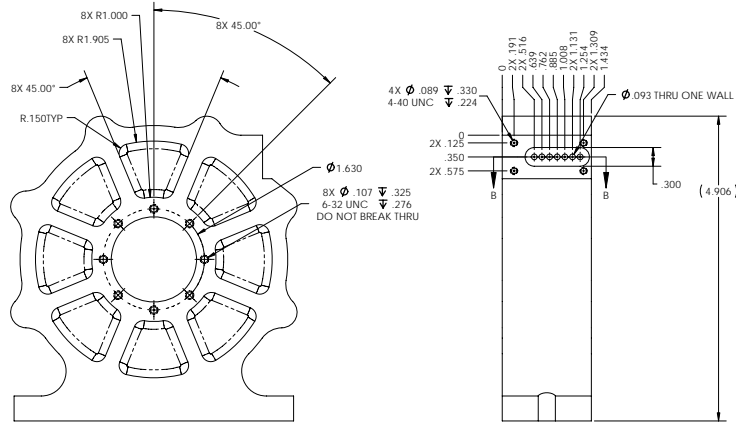
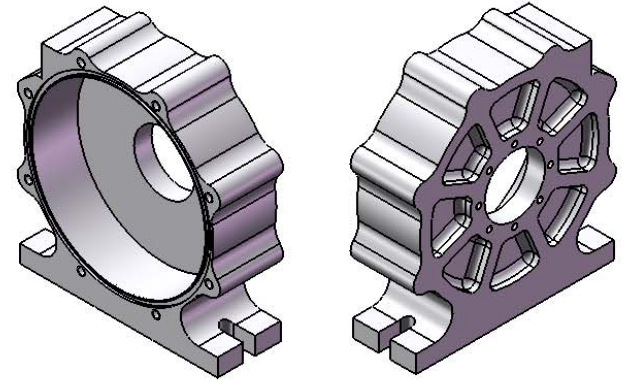
NOTES, UNLESS OTHERWISE SPECIFIED:

1. UNSPECIFIED FILLET RADIUS .005-.010.
2. MATERIAL: AL 6061-T651
3. THREADS PER ANSI B1.1.

REV	ZONE	DESCRIPTION	APPROVED	DATE
-		INITIAL RELEASE		



SECTION B-B
SCALE 2:1



SECTION A-A

ALL DIMENSIONS ARE IN INCHES - INTERPRET DRAWING PER ASME Y14.5-1994 TOLERANCES UNLESS OTHERWISE SPECIFIED: X.X ± .03 X.XX ± .01 X.XXX ± .005 .125 REMOVE ALL BURRS AND SHARP EDGES .005 R OR CHAMFER MAX	APPROVED	DATE	Franklin W. Olin College of Engineering	
	PREP BY: D. ANDERSON	3-28-08	HOUSING, TURBINE SIZE: D SCALE: 1:1 PART NO: WIT PART REV: 01 DOC REV: 01 SHEET 1 OF 1	
	CHECKED:			
	RESP ENG: D. ANDERSON			
MFG ENG:				
QUAL ENG:				
	♦ - (CRITICAL DIMENSION)			

8 7 6 5 4 3 2 1