

4

3

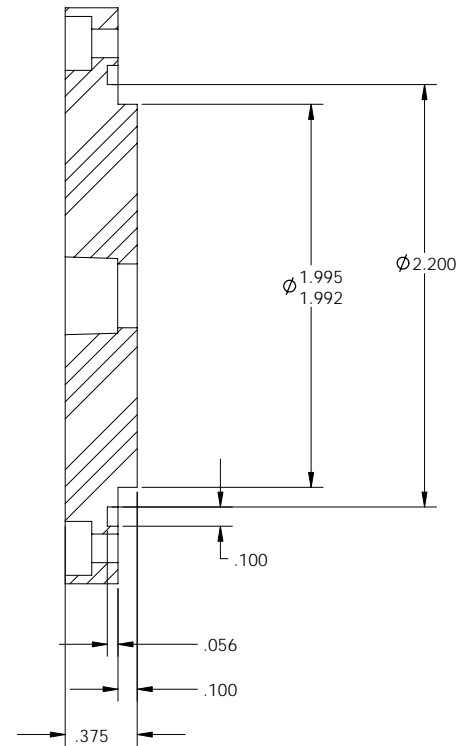
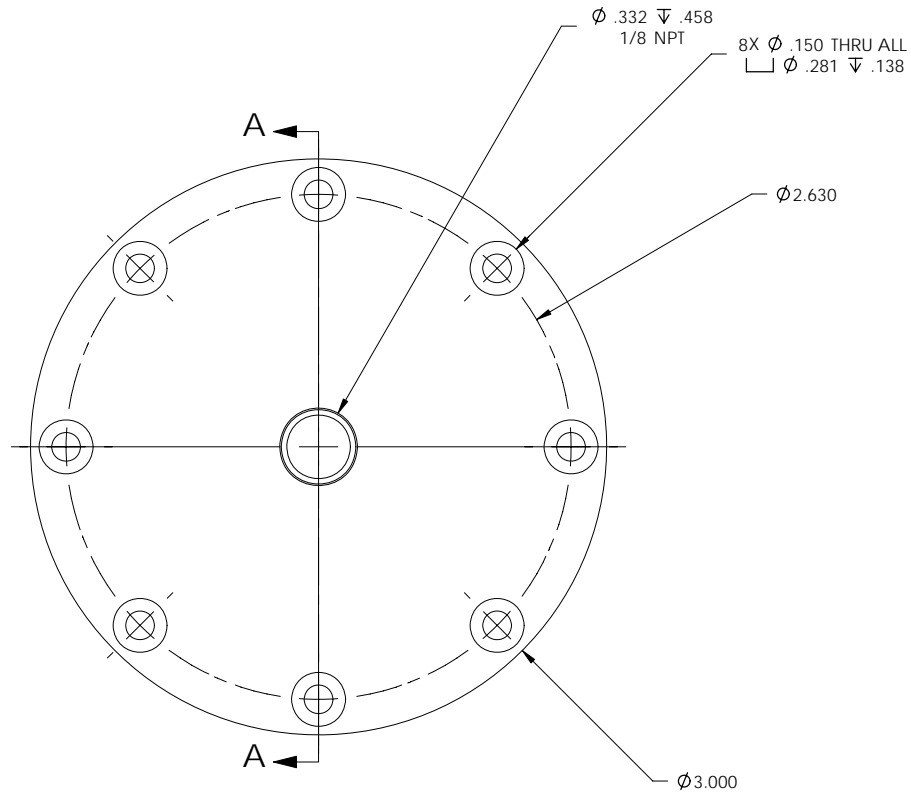
2

1

NOTES, UNLESS OTHERWISE SPECIFIED

- 1. UNSPECIFIED FILLET RADII .005-.010.
- 2. MATERIAL: LEXAN
- 3. THREADS PER ANSI B1.1.

REV	ZONE	DESCRIPTION	APPROVED	DATE
-		INITIAL RELEASE		



SECTION A-A

ALL DIMENSIONS ARE IN INCHES- INTERPRET DRAWING PER ASME Y14.5 -1994

TOLERANCES UNLESS OTHERWISE SPECIFIED:

X.X $\pm .03$ $\angle \pm .5^\circ$

X.XX $\pm .01$

X.XXX $\pm .005$ $125/\sqrt{\quad}$

REMOVE ALL BURRS AND SHARP EDGES .005 R OR CHAMFER MAX

APPROVED	DATE
PREP BY D. ANDERSON	2-20-08
CHECKED	
RESP ENG D. ANDERSON	
MFG ENG	
QUAL ENG	



INLET PLATE, PUMP

SIZE	FSCM NO.	PART NO.	PART REV	DOC REV
C				01
SCALE	2:1	WT	0.09	SHEET 1 OF 1

◆ = (CRITICAL DIMENSION)

4

3

2

1

↑

1